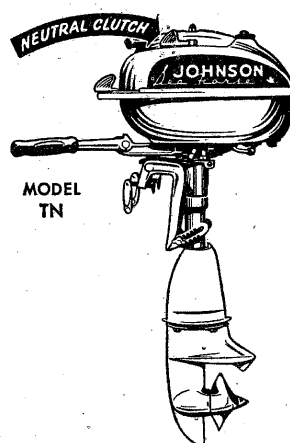


PARTS CATALOG

FOR

Model T N



JOHNSON MOTORS

PETERBORO, ONTARIO, CANADA

All Prices Subject to Change Without Notice

Warranty

We warrant each new outboard motor of our manufacture to be free from defects in material and workmanship under normal use and service, our obligation under this warranty being limited to making good at the factory any part or parts thereof which shall, within three (3) months after delivery of such motor to original purchaser, be returned to us with transportation charges prepaid, and which our examination shall disclose to our satisfaction to have been thus defective; this warranty being expressly in lieu of all other warranties and representations expressed or implied and of all other liabilities in connection with the sale or use of any motors.

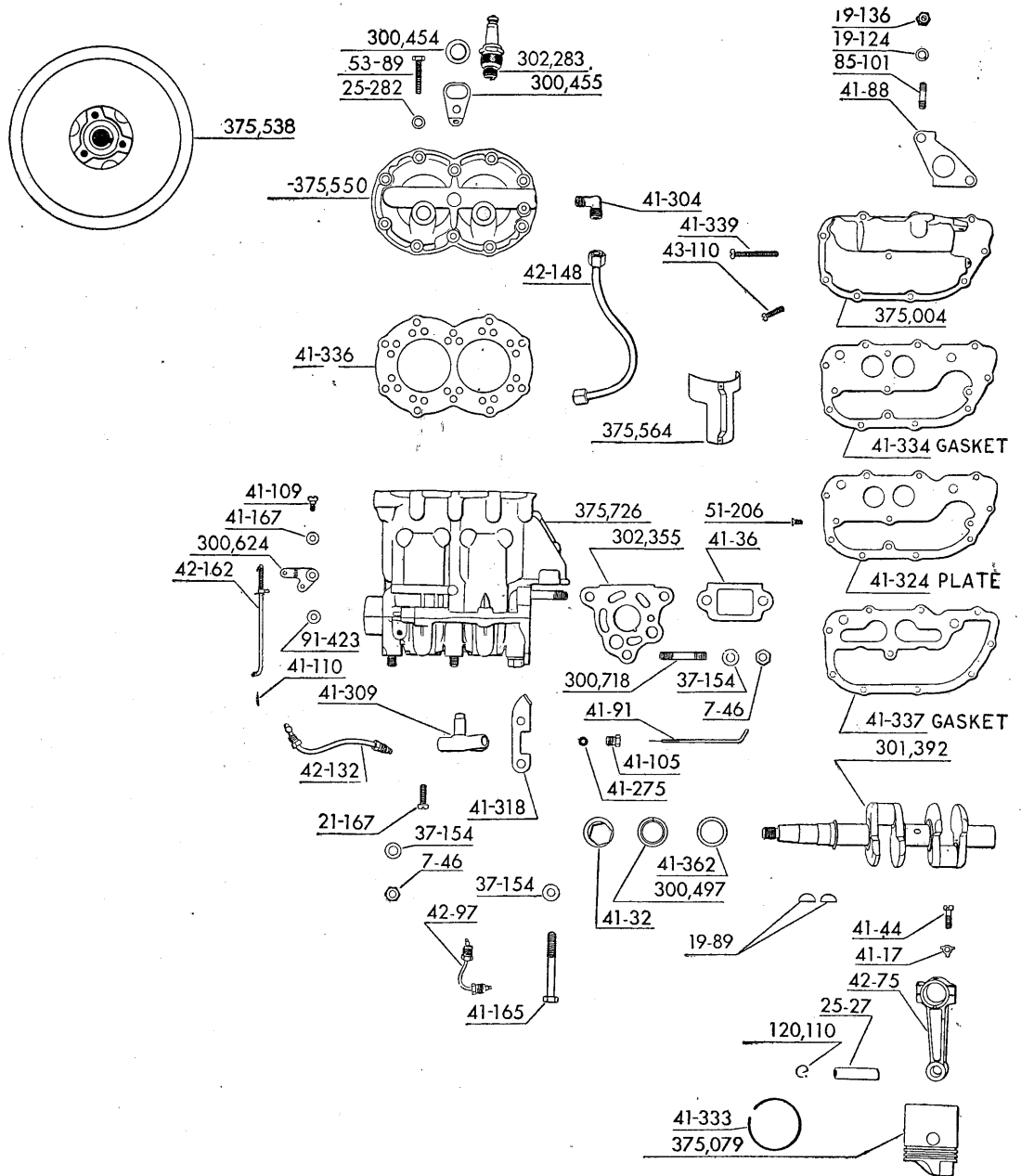
This warranty shall not apply to any motor which shall have been repaired or altered outside the factory in any way so as to affect its stability, nor which has been subject to misuse, negligence or accident. Warranty is void if motor is used for racing purpose.

We make no warranty in respect to trade accessories not of our manufacture; inasmuch as they are usually warranted separately by their respective manufacturers.

Because of the usual strains and accidents to which such products may be subjected, we make no warranty of either material or workmanship in racing outboard motors or any of our products when used for racing.

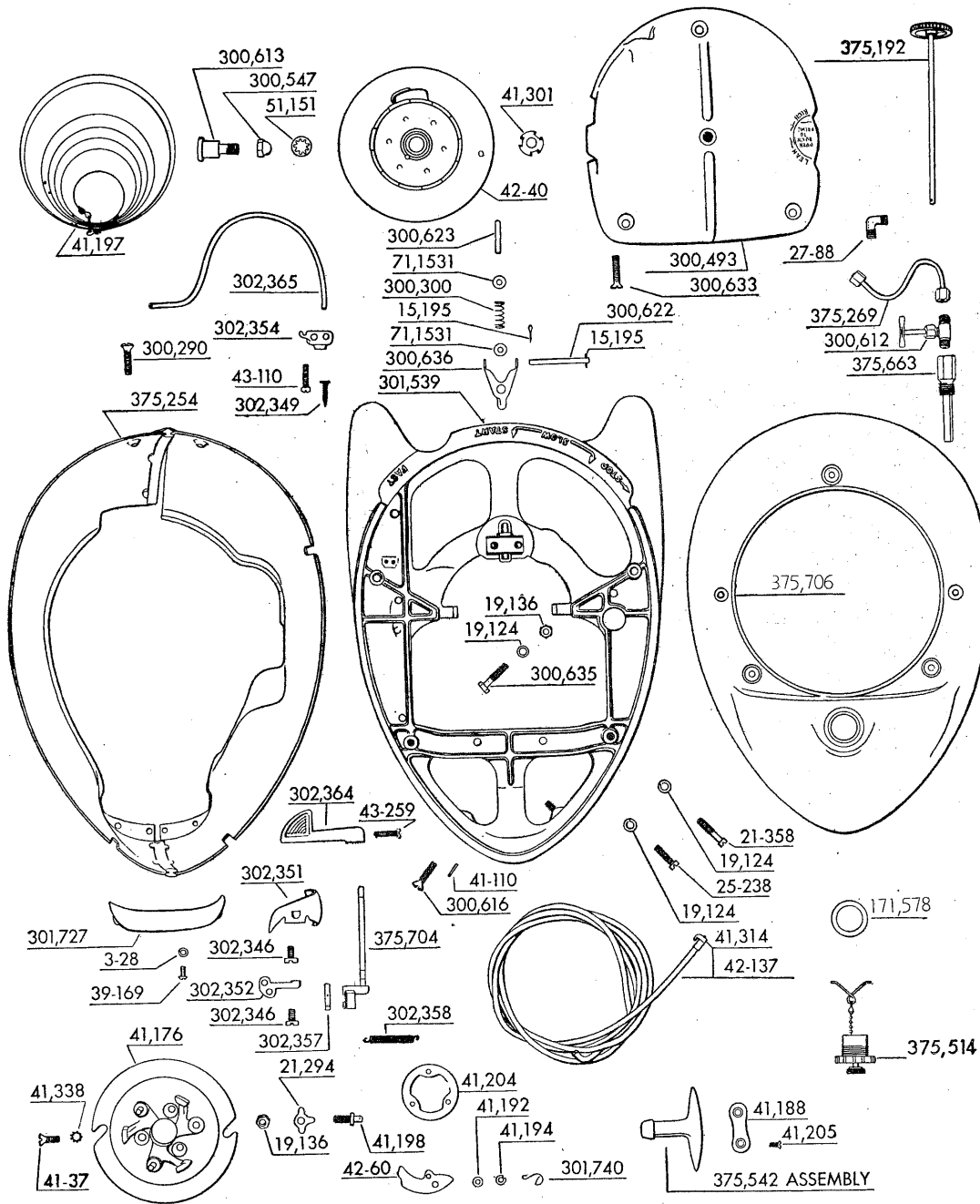
Claims must be entered on motors or motor parts returned to the factory for inspection, repair or replacement. Request form No. SE-16 from local Johnson Dealer or Service Station. **This form should be filled in, signed by the motor owner and dealer or service station representatives and mailed to the factory with returned material, TRANSPORTATION CHARGES PREPAID.**

POWER HEAD PARTS



Order All Parts from Nearest Service Station or Dealer

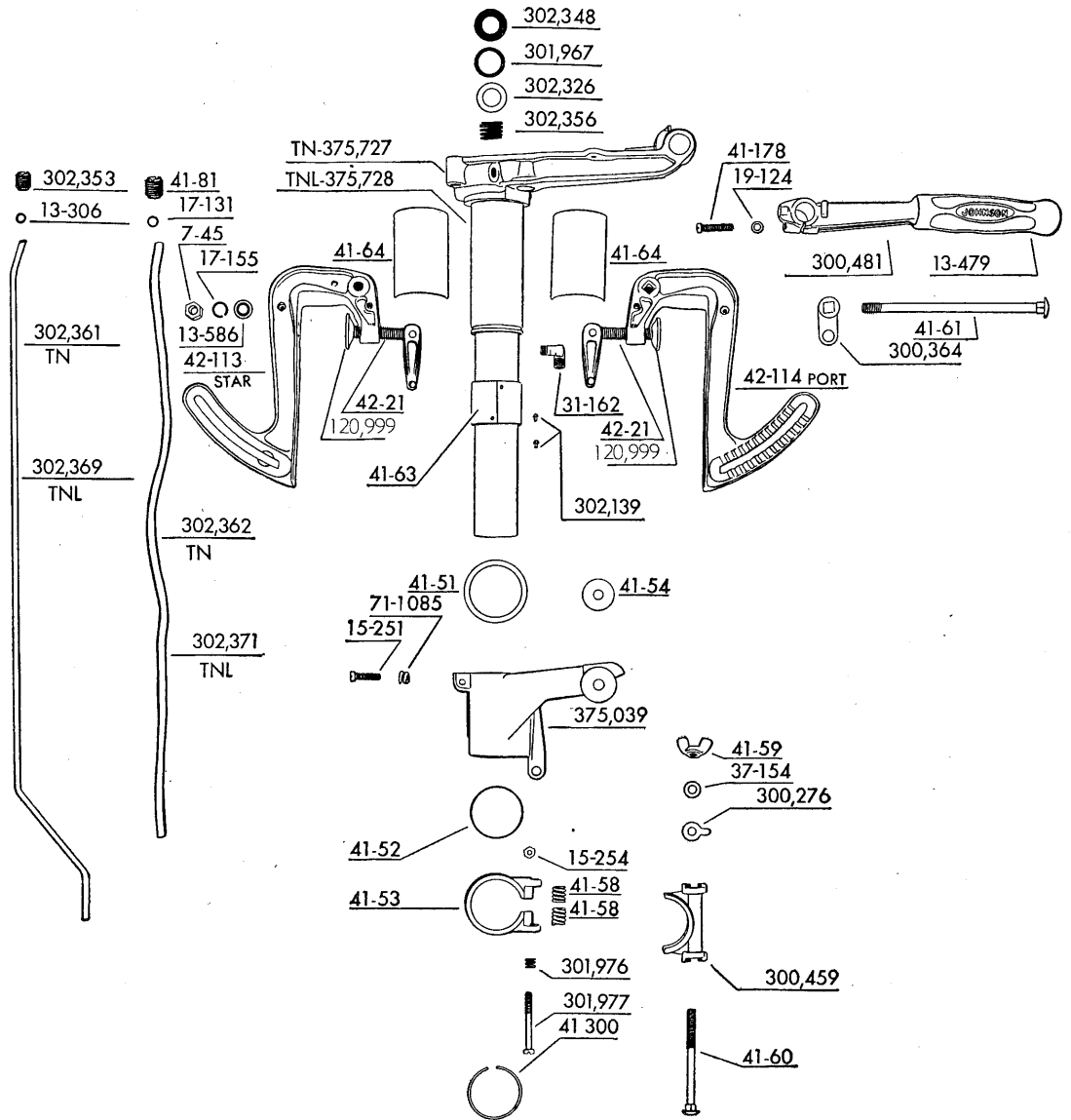
POWER HEAD PARTS



Order All Parts from Nearest Service Station or Dealer

Be Sure to Specify Model and Serial Number of Motor When Ordering Parts

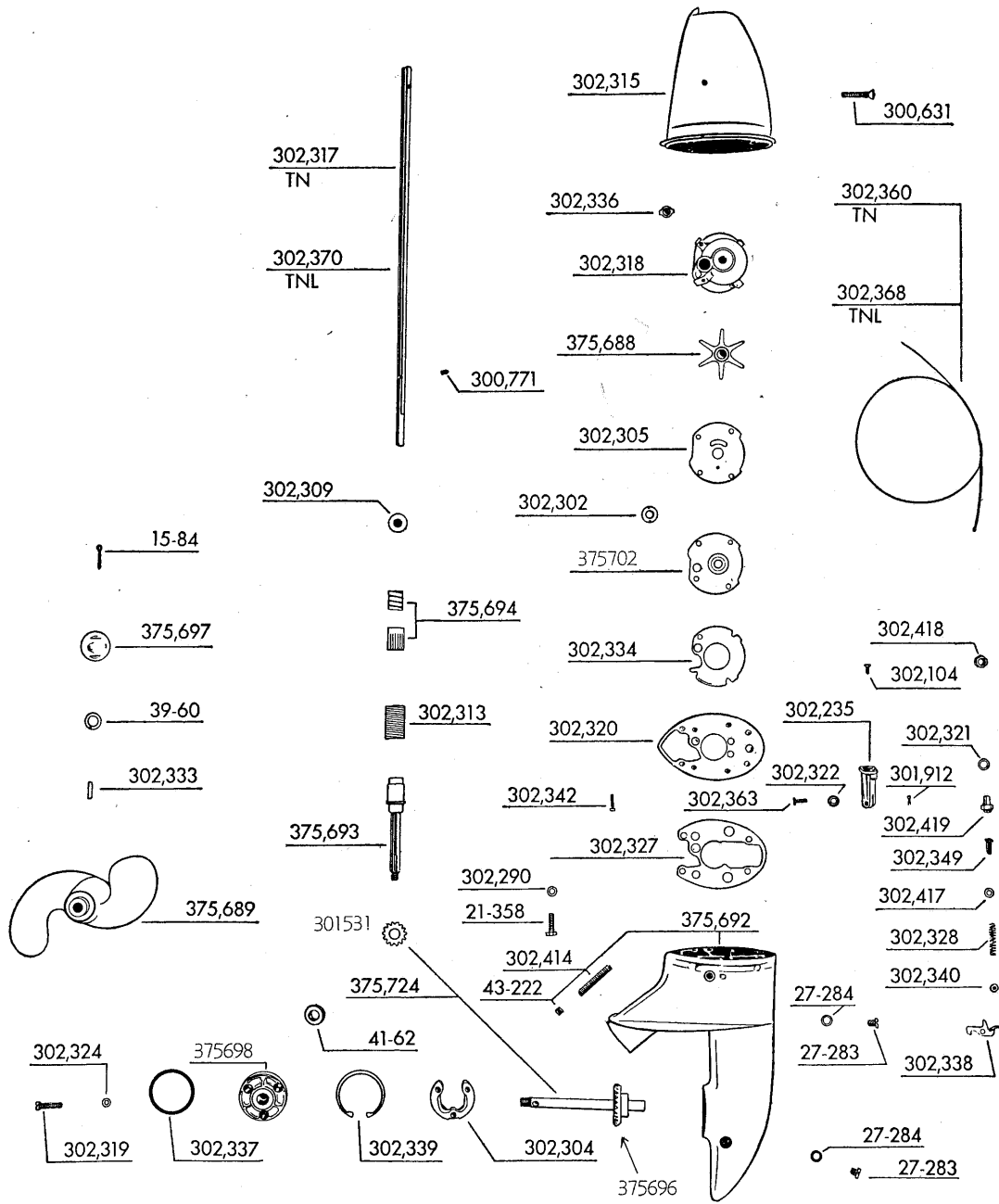
LOWER UNIT PARTS



Order All Parts from Nearest Service Station or Dealer

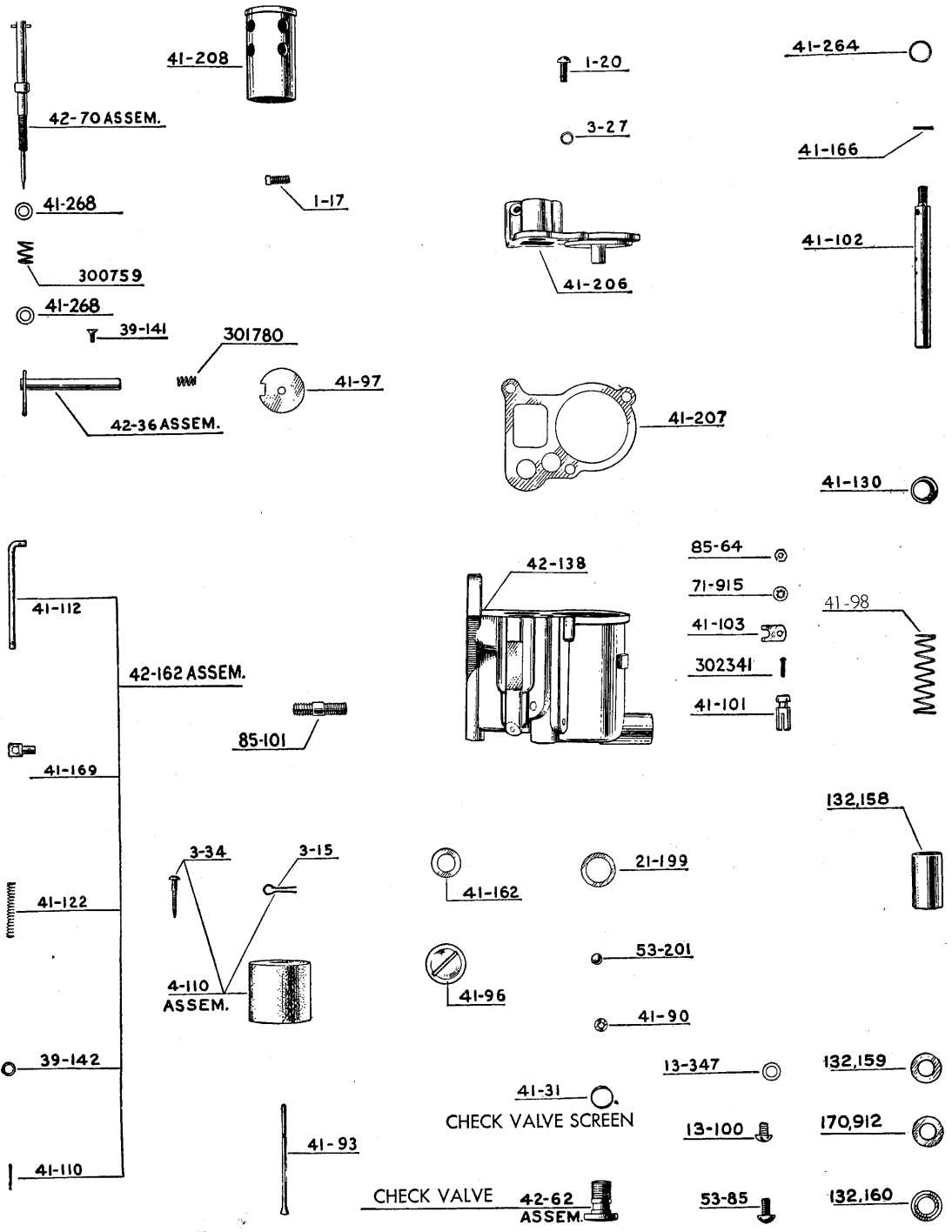
Be Sure to Specify Model and Serial Number of Motor When Ordering Parts

LOWER UNIT PARTS



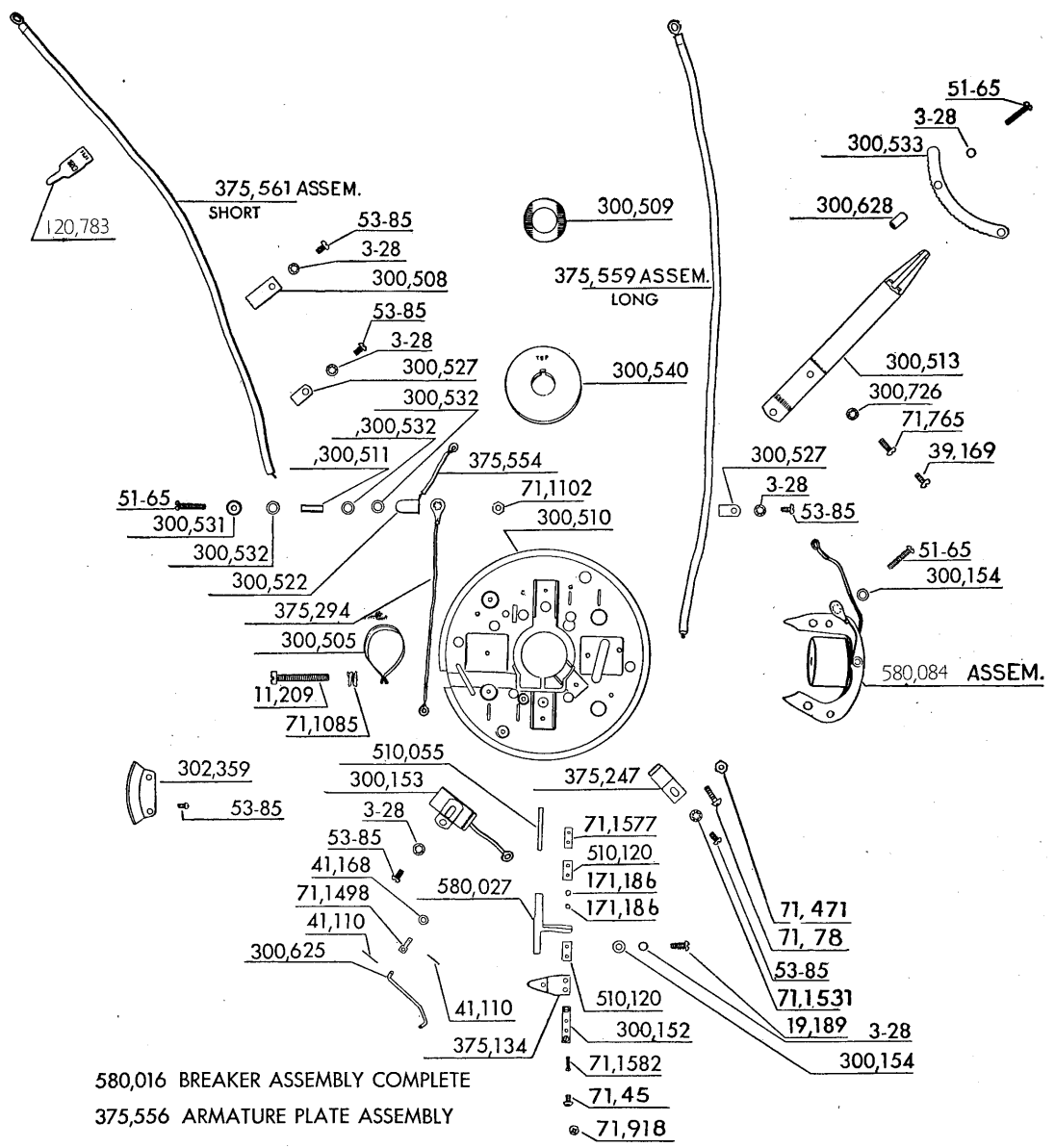
Order All Parts from Nearest Service Station or Dealer

CARBURETOR PARTS



Order All Parts from Nearest Service Station or Dealer

MAGNETO PARTS



Order All Parts from Nearest Service Station or Dealer

Be Sure to Specify Model and Serial Number of Motor When Ordering Parts

MOTOR PARTS FOR MODEL TN

Part No.	No. Required per Motor	
1-17	1	Set Srew - Air Silencer.....
1-20	3	Screw Carburetor Cover
3-15	1	Cotter Pin - Float.....
3-27	3	Lockwasher - Carburetor Cover Screw.....
3-28	13	Lockwasher - Carrying Handle to Side Cover Screw, Breaker and Ratchet Assembly, Ignition Lead Clamp Screw, Condenser Mounting.....
3-34	1	Wood Screw - Float.....
4-110	1	Float Assembly
7-45	1	Nut - Tilting Shaft.....
7-46	3	Nut - Crankcase to Flange & Steering Bracket.....
11-61	2	Gland - Gasoline Line.....
11-209	1	Screw - Clamp.....
13-100	2	Screw - Carburetor Drain.....
13-306	6	Gland - Gasoline Line, Slow Speed Gas Line and High Speed Gas Line, Control Cable Tube to Flange.....
13-307	2	Nut - High Speed Gas Line.....
13-347	3	Washer - Jet and Drain Screw.....
13-479	1	Grip - Steering Handle.....
13-586	1	Washer - Tilting Shaft Nut.....
15-84	1	Cotter Pin - Propeller Nut.....
15-195	2	Cotter Pin - Hinge Pin.....
15-251	1	Screw - Swivel Bracket.....
15-254	1	Nut - Pilot Screw.....
17-131	3	Gland - Water Pipe.....
17-132	2	Nut - Water Pipe.....
17-155	1	Lockwasher - Tilting Shaft Nut.....
19-89	2	Key - Crankshaft.....
19-124	12	Lockwasher - Carburetor Studs, Steering Handle Screw, Mounting Plate to Crankcase (Reverse Lock Screw TNL)
19-136	6	Nut - Pawl to Starter Pulley, Carburetor Stud and Mounting Plate to Crankcase.....
19-189	2	Screw - Breaker Mounting.....
21-167	5	Screw - Carburetor Flange to Muffler and Cylinder to Crankcase
21-199	1	Gasket - Check Valve.....
21-294	3	Lockplate - Pawl to Dome Pin.....
21-295	1	Dowel Pin - Oil Plug Hole.....
21-358	8	Screw - Upper to Lower Gearcase and Gas Tank to Mounting Plate
25-27	2	Wrist Pin
25-238	2	Screw - Mounting Plate to Cylinder.....
25-282	10	Washer - Cylinder Head Screws.....
27-17	1	Screw - Reverse Lock (TNL).....
27-88	1	Elbow - Carburetor Gas Line.....
27-283	2	Screw - Oil Plug - Fill and Drain.....
27-284	2	Washer - Oil Plug, Fill and Drain.....
27-308	1	Nut - Slow Speed Gas Line.....
31-162	1	Elbow - Water Pipe.....
37-154	10	Washer - Cylinder to Crankcase Studs, Thrust Socket Bolt Nut End and Flange to Crankcase.....
39-60	1	Lockwasher - Propeller Nut.....
39-141	1	Screw - Stem to Throttle.....
39-142	1	Washer - Control Rod.....
39-169	5	Screw - Carrying Handle to Side Covers, Timing Lever
41-16	1	Thrust Socket (TNL).....
41-17	4	Lockplate - Connecting Rod Screws.....
41-31	1	Screen - Check Valve.....
41-32	1	Nut - Crankshaft.....
41-36	1	Gasket - Cylinder to Flange.....
41-37	3	Screw - Starter Pulley.....
41-44	4	Screw - Connecting Rod.....
41-45	1	Spring - Steering Handle.....

Order All Parts from Nearest Service Station or Dealer

Be Sure to Specify Model and Serial Number of Motor When Ordering Parts

MOTOR PARTS FOR MODEL TN

Part No.	No. Required per Motor	
41-51	1	Thrust Washer - Swivel Bracket.....
41-52	1	Lining - Pilot Band.....
41-53	1	Pilot Band.....
41-54	2	Thrust Washer.....
41-55	1	Reverse Lock (TNL).....
41-58	2	Spring - Pilot Band.....
41-59	1	Wing Nut - Thrust Socket Bolt.....
41-60	1	Thrust Socket Bolt.....
41-61	1	Bolt - Tilting Shaft.....
41-62	1	Grease Retainer - Gearcase Head.....
41-63	1	Lining - Thrust Socket.....
41-64	2	Lining - Swivel Bracket.....
41-81	1	Nut - Water Pipe - Upper.....
41-88	1	Gasket - Carburetor Flange.....
41-91	1	Needle Valve - Slow Speed.....
41-93	1	Float Pin.....
41-96	1	Screw - Plug For Float Valve.....
41-97	1	Throttle Valve.....
41-98	1	Spring - Plunger.....
41-101	1	Sleeve - Needle Valve.....
41-102	1	Plunger.....
41-103	1	Fork - Plunger.....
41-105	3	Nut - Gas Line Packing.....
41-109	1	Screw - Bell Crank.....
41-110	11	Pin - Bell Crank to Control Rod and Side Cover Screw, Swivel Control, Control Rod.....
41-112	1	Control Rod - Vertical.....
41-122	1	Spring - Control Rod.....
41-130	1	Cup - Plunger.....
41-162	1	Washer - Plug for Float Valve.....
41-165	2	Screw - Flange to Cylinder.....
41-167	1	Bow Washer - Bell Crank.....
41-168	1	Washer - Swivel.....
41-169	1	Swivel - Control Rod.....
41-176	1	Starter Pulley.....
41-178	1	Screw - Steering Handle.....
41-187	1	Oil Line - Return.....
41-188	1	Plate - Rope Handle.....
41-192	3	Washer - Equalizer.....
41-194	3	Snap Ring - Pawl Pin.....
41-197	1	Main Starter Spring.....
41-198	3	Pin - Pawl to Dome.....
41-204	1	Equalizer - Starter.....
41-205	2	Screw - Clamp Plate to Handle.....
41-206	1	Cover - Carburetor.....
41-207	1	Gasket - Carburetor Cover.....
41-208	1	Air Silencer.....
41-219	1	Wrench.....
41-264	1	Washer - Pump Plunger.....
41-268	2	Washer - Needle Valve Spring.....
41-275	3	Packing - Slow Speed Needle Valve.....
41-300	1	Snap Ring - Flange and Steering Bracket.....
41-304	1	Elbow - Water Tube.....
41-309	1	Slow Speed Intake.....
41-314	1	Anchor - Starter Cord.....
41-318	1	Support - Slow Speed Needle.....
41-324	1	Plate - Muffler to Cylinder.....
41-328	6	Stud - Cylinder to Crankcase.....
41-333	6	Piston Rings.....
41-334	1	Gasket - Plate to Muffler.....
41-336	1	Gasket - Cylinder Head.....
41-337	1	Gasket - Plate to Cylinder.....
41-338	3	Lockwasher - Starter Pulley Screw.....
41-339	1	Screw - Muffler - Long.....

Order All Parts from Nearest Service Station or Dealer

Be Sure to Specify Model and Serial Number of Motor When Ordering Parts

MOTOR PARTS FOR MODEL TN

Part No.	per Motor No. Required	NAME OF PART
41-340	1	Socket Wrench.....
41-362	1	Oil Slinger.....
42-21	2	Clamp Screw and Handle Assembly.....
42-36	1	Throttle Arm and Shaft.....
42-40	1	Starter Pulley and Ratchet Assembly.....
42-60	3	Pawl and Post Assembly.....
42-62	1	Check Valve.....
42-70	1	Needle Valve - High Speed.....
42-75	2	Connecting Rod and Lockplate Assembly.....
42-87	1	Starter Pulley and Pawl Pin Assembly.....
42-97	1	Oil Line Assembly - Return.....
42-113	1	Stern Bracket and Clamp Screw Assembly - Star.....
42-114	1	Stern Bracket and Clamp Screw Assembly - Port.....
42-132	1	Gasoline Line Assembly - Slow Speed.....
42-136	1	Carburetor Complete.....
42-137	1	Starting Cord and Anchor Assembly.....
42-138	1	Carburetor Body and Plug.....
42-147	2	Piston, Connecting Rod and Ring Assembly.....
42-148	1	Water Line Assembly - Outlet.....
42-162	1	Control Rod - Spring and Swivel Assembly.....
43-110	11	Screw - Muffler - Short, Cap to Mounting Plate.....
43-128	1	Feeler Gauge.....
43-222	1	Plug - Gearcase - Lower.....
43-252	1	Handle - Socket Wrench.....
43-259	1	Screw - Control Handle to Shaft.....
43-301	1	Washer - Shoulder Screw.....
51-65	7	Screw - Lamination & Stop Switch Mounting and Ratchet Mounting.....
51-151	1	Washer - Shoulder Screw.....
51-206	4	Screw - Muffler to Plate.....
53-85	9	Screw - Stop to Armature Plate, Jet, Condenser, Oiler and Lead Clamp Mounting.....
53-89	10	Screw - Cylinder Head to Cylinder.....
71-45	4	Screw - Bar Nut.....
71-78	2	Screw - Ground.....
71-471	2	Nut - Ground.....
71-765	1	Screw - Timing Lever.....
71-915	1	Lockwasher - Plunger Nut.....
71-918	4	Lockwasher - Shakeproof - Terminal Bar Screw.....
71-1085	2	Spring - Swivel Bracket, Clamp Screw.....
71-1102	1	Nut - Stop Switch.....
71-1239	1	Marker - High Tension Lead.....
71-1498	1	Swivel Control.....
71-1531	3	Washer - Oiler Mounting, Ratchet Spring.....
71-1577	2	Bar Nut - Breaker.....
71-1582	4	Screw - Terminal Bar.....
85-64	1	Nut - Plunger to Fork.....
85-101	1	Stud - Carburetor to Cylinder and Muffler to Crank- case.....
91-423	1	Washer - Bell Crank.....
120110	4	Lockring - Wrist Pin.....
120783	1	Marker - High Tension Lead.....
120999	2	Swivel Plate.....
132158	1	Sleeve - Plunger.....
132159	1	Packing Washer - Top.....
132160	1	Packing Washer - Bottom.....
132693	1	Screw - Plug Float Pin.....
170912	2	Packing Washer - Leather.....
171186	4	Insulation Bushing - Breaker - Center.....
171578	1	Gasket - Filler Cap.....
300152	2	Terminal Bar.....
300153	2	Condenser.....
300154	4	Washer - Breaker and Lamination Screw.....
300276	1	Lockplate - Port - Stern Bracket.....
300290	2	Screw - Side Cover to Mounting Plate - Front.....

Order All Parts from Nearest Service Station or Dealer

Be Sure to Specify Model and Serial Number of Motor When Ordering Parts

MOTOR PARTS FOR MODEL TN

Part No.	No. Required per Motor	NAME OF PART
300300	1	Spring - Ratchet Lever.....
300346	1	Pin Adjusting Rod To Sleeve.....
300364	1	Link - Safety Chain.....
300454	1	Grommet - Ignition Leads.....
300455	1	Anchor - Ignition Leads.....
300459	1	Thrust Socket.....
300481	1	Steering Handle.....
300493	1	Starter Housing.....
300497	1	Lockwasher -Crank shaft Nut.....
300508	1	Bearing Shim - Armature Plate.....
300505	1	Clamp - High Tension Lead.....
300509	1	Washer - Rotor Holding.....
300510	1	Armature Plate Casting.....
300511	1	Tubing - Insulation Stop Switch.....
300513	1	Timing Lever.....
300522	1	Contact - Stop Switch.....
300527	2	Clamp - High Tension Leads.....
300531	1	Cup Washer - Stop Switch.....
300532	3	Washer - Insulation - Stop Switch.....
300533	1	Ratchet - Armature Plate.....
300540	1	Rotor.....
300547	1	Nut - Starter - Acorn.....
300612	1	Shut-Off Valve.....
300613	1	Shoulder Screw - Starter.....
300616	2	Screw - Side Cover to Mounting Plate.....
300622	1	Ratchet Pin.....
300623	1	Spring Pin.....
300624	1	Bell Crank - Carburetor.....
300625	1	Control Rod - Horizontal.....
300628	2	Spacer - Ratchet Mounting.....
300631	1	Clamp Screw - Gearcase.....
300633	3	Screw - Housing and Cover to Gas Tank.....
300635	2	Screw - Mounting Plate to Crankcase.....
300636	1	Pawl - Armature Plate Ratchet.....
300661	1	Nut - Slow Speed Gas Line.....
401482	1	Transfer - Star.....
401483	1	Transfer - Port.....
300726	2	Lockwasher - Timing Lever Screw.....
300759	1	Spring - High Speed Needle.....
300771	1	Pin - Impeller to Driveshaft.....
301392	1	Crankshaft.....
301531	1	Pinion Gear.....
301539	1	Mounting Plate.....
301718	3	Stud - Crankcase to Flange & Steering Bracket.....
301727	1	Carrying handle.....
301740	3	Spring - Starter Pawl.....
301780	1	Spring - Throttle Arm.....
301912	1	Cotter Pin - Pivot Pin.....
301967	1	O-ring - Crankshaft Seal - Lower.....
301976	1	Spring - Pilot Band.....
301977	1	Screw - Pilot Band.....
302104	2	Screw - Plate to Clutch Lever Bracket.....
302139	2	Rivet - Lining - Thrust Socket.....
302283	2	Spark Plug.....
302290	4	Lockwasher - Upper to Lower Gearcase Screw.....
302302	1	Seal - Bearing Housing.....
302304	1	Nut Plate - Gearcase Head.....
302305	1	Plate - Impeller Housing.....
302309	1	Retainer - Clutch.....
302313	1	Spring - Clutch.....
302315	1	Gearcase - Upper.....
302317	1	Driveshaft.....
302318	1	Impeller Housing.....
302319	3	Screw - Gearcase Head.....
302320	1	Plate - Lower to Upper Gearcase.....
302321	1	Gasket - Plate to Seal Housing.....

Order All Parts from Nearest Service Station or Dealer

Be Sure to Specify Model and Serial Number of Motor When Ordering Parts

MOTOR PARTS FOR MODEL TN

Part No.	No. Required per Motor	NAME OF PART
302322	1	Bow Washer - Pivot Pin - Clutch Lever.....
302324	3	Washer - Gearcase Head Screw.....
302326	1	Washer - Crankshaft Seal - Lower.....
302327	1	Gasket - Lower Gearcase to Plate.....
302328	1	Spring - Clutch Lever.....
*302329	1	O-ring - Control Cable Tube Seal.....
*302330	1	Guide Screw - Control Cable Tube.....
*302331	1	Seal Housing - Control Cable Tube.....
302333	1	Drive Pin.....
302334	1	Gasket - Bearing Housing to Plate.....
302335	1	Bracket - Clutch Lever.....
302336	1	Grommet - Water Tube to Impeller Housing.....
302337	1	O-ring - Gearcase Head.....
302338	1	Lever - Clutch.....
302339	1	Retainer Ring - Gearcase Lower.....
302340	1	Washer - Spring to Clutch Lever.....
302341	1	Screw - Sleeve to adjustment Rod.....
302342	4	Screw - Plate to Impeller Housing.....
302346	3	Screw - Control Cable Clamp & Lock to Control Shaft
302348	1	Seal - Crankshaft - Lower.....
302349	2	Grommet - Control Cable to Mounting Plate and Lower Gearcase.....
302351	1	Lock - Control Shaft.....
302352	1	Clamp - Control Cable.....
302353	1	Nut - Control Cable Tube to Flange.....
302354	1	Cap - Upper Control Tube to Mounting Plate.....
302355	1	Gasket - Power Head to Lower Unit.....
302356	1	Spring - Crankshaft Seal - Lower.....
302357	1	Pin - Lever to Cable Clamp.....
302358	1	Spring - Cable Clamp Pin to Cap.....
302359	1	Stop - Control Shaft Lock Armature Plate.....
302360	1	Control Cable.....
302361	1	Tube - Control Cable - Lower.....
302362	1	Water Tube - Inlet.....
302363	1	Pivot Pin - Clutch Lever.....
302364	1	Control Handle.....
302365	1	Tube - Control Cable - Upper.....
401783	1	Transfer - Oiling and Starting Instructions.....
302368	1	Control Cable - Clutch - Long (TNL).....
302369	1	Tube - Control Cable - Lower (TNL).....
302370	1	Driveshaft - Long (TNL).....
302371	1	Water Tube - Inlet (TNL).....
302414	1	Screen - Water Intake.....
302417	1	Washer - Grommet to Clutch Lever Spring.....
302418	1	Nut - Guide Screw.....
302419	1	Guide Screw - Control Cable Tube.....
375004	1	Manifold Plate and Gasket Assembly.....
375039	1	Swivel Bracket & Screw Assembly.....
375079	2	Piston and Lockring Assembly.....
375131	2	Spring and Point Assembly.....
375192	1	Adjusting Rod and Knob Assembly.....
375247	1	Oiler Assembly.....
375254	1	Shroud, Carrying Handle and Strip Assembly.....
375265	1	Starter Housing Assembly.....
375267	1	Stern Bracket and Thrust Socket Assembly.....
375269	1	Gasoline Line - High Speed.....
375294	1	Lead - Breaker to Switch - Long.....
375295	2	Terminal Assembly - Ignition Leads.....
375297	1	Steering Handle and Grip Assembly.....
375514	1	Filler Cap Assembly - Gas Tank.....
375538	1	Flywheel.....
375542	1	Handle Assembly - Starter.....
375550	1	Cylinder Head.....
375554	1	Lead - Breaker to Switch - Short.....
375559	1	High Tension Lead Assembly - Short.....

* These parts used only on Model TN-25

Order All Parts from Nearest Service Station or Dealer

Be Sure to Specify Model and Serial Number of Motor When Ordering Parts

MOTOR PARTS FOR MODEL TN

Part No.	No. Required per Motor	NAME OF PART
375561	1	High Tension Lead Assembly - Long.....
375564	1	Deflector Assembly
375706	1	Gasoline Tank and Filler Cap Assembly.....
375663	1	Connector and Filter Cap Assembly.....
375688	1	Impeller and Insert Assembly.....
375689	1	Propeller and Bushing Assembly.....
375692	1	Gearcase - Lower - and Plug Assembly.....
375693	1	Pinion Shaft and Clutch Pilot Assembly.....
375694	1	Spring and Sleeve Assembly - Shock Absorber.....
375696	1	Prop. Shaft & Gear
375697	1	Propeller Nut Assembly.....
375698	1	Gearcase Head and Brg.
375702	1	Bearing Housing with Brg. and Seal
375704	1	Control Shaft and Lever Assembly.....
375717	1	Tool Kit Assembly.....
375724	1	Propeller Shaft, Gear and Pinion Assembly.....
375725	1	Lower Unit Complete With Propeller.....
375726	1	Cylinder and Crankcase Assembly.....
375727	1	Driveshaft Casing, Water Tube and Control Tube Assembly
375728	1	Driveshaft Casing, Water Tube and Control Tube Assembly (TNL)
375729	1	Lower Unit Complete With Propeller (TNL).....
510055	2	Push Rod - Breaker.....
510120	4	Insulation Strip - Breaker.....
580016	2	Breaker Assembly Complete.....
580027	2	Breaker Bracket and Point Assembly.....
580084	2	Coil Assembly

Order All Parts from Nearest Service Station or Dealer

JOHNSON PARTS DISTRIBUTORS AND REPAIR DEPOTS

Prompt and efficient service is always available to Johnson owners through the following Parts Distributors and Repair Depots. When in need of repair service or replacement parts, communicate with the Repair Depot nearest you.

BRITISH COLUMBIA

VANCOUVER
Victoria **HOFFARS LIMITED** (Parts Distributor) 1790 GEORGIA ST. W.
Angus Marine Sales and Service 1129 Wharf Street.

ALBERTA

Banff Bow River Boat House Limited.
Calgary Pilling Sales 2505 4th Street, W.
EDMONTON **THE J. E. NIX CO. LTD.** (Parts Distributor) 10030-109th STREET.

SASKATCHEWAN

Beauval W. H. Sandherr
Fort Qu'Appelle Dunk the Druggist.
Prince Albert Kernaghan Hardware Limited.
Regina Rogers Machine Shop 1934 Broad Street.
SASKATOON **ASHMAN ELECTRIC SHOP**
(Parts Distributor) 261-3rd Avenue S.

MANITOBA

Brandon Breen Motors Brandon, Limited.
Lac du Bonnet F. E. Bleakney.
The Pas Woodwork and Machine Shop.
WINNIPEG **BREEN MOTOR CO. LTD.** (Parts Distributor) 247 MAIN STREET.

ONTARIO

Barrie W. L. Brennan
Belleville Russell Products Co. 201 Coleman Street.
Bobcaygeon Gordon Boat Works
Brockville Henry's Machine Shop
Brockville Fred Gilbert Boat Works
Campbellford C. H. Davidson
Chatham Norton Smith Cycle
Clinton Ellwood Epps Sporting Goods
Cobourg Wilson Motors
Cornwall Snetsinger's Hardware 137 Pitt Street.
Dorset Wallace Matthews
Dryden District Hardware Electric
Emo E. Tompkins Hardware
Fort Frances Lloyd's Tourist Emporium
FORT WILLIAM **CANADA TIRE & SUPPLY CO.**
(Parts Distributor) 119 S. MAY ST.
Gananoque Thousand Island Boat Line Repair
Gogama J. T. LaFlamme
Grove Park P.O. Langford's Pleasure Craft Service Lake of Bays
Haliburton Lakeshore Garage
Hamilton Strand Cycle and Sports 737 King St. E.
Hanover Tannet and Zister
Huntsville Huntsville Boat Works
Island Grove F. H. Johnston
KENORA **KANE-MARR LIMITED** (Parts Distributor) 400 RAILWAY STREET.
Kingston Chown's Hardware.
Kingston Knapp's Boat House
Kirkland Lake R. McLenaghan
Lindsay Harold Wood 105 Lindsay Street.
Little Current R. C. McGregor Manitoulin Island.
LONDON **GENERAL MARINE** (Parts Distributor) 229 HORTON STREET.
Madoc Chas. M. Derry.
Marmora W. R. Bonter
McKenzie Island A. Kay.
Meaford C. Richardson Boat Works.
Metagama M. U. Bates
Midland Midland Boat Works
Minaki R. Grellier Minaki Boat House.
Niagara Falls Crawford Motors Sales 806 Bridge Street.
NORTH BAY **YOUNG'S MARINE** (Parts Distributor) GOVERNMENT DOCK.
Odessa John Porter
Oshawa Ontario Motor Sales 86 King St. E.
OTTAWA **BLAIR EQUIPMENT LTD.** (Parts Distributor) 50 QUEEN ST. W.
Owen Sound Frank Slater
Parry Sound Wilson Marine Sales and Service
Pembroke C. A. Bailey
Perth H. E. Burns
PETERBOROUGH **PILON MARINE SALES** (Parts Distributor) 176 SIMCOE STREET.
Pictou Prince Edward Motors
Port Arthur C. A. Auld Supply Co.
Port Arthur Anderson's Industrial Equipment 278 Bay Street.

ONTARIO (Continued)

Port McNicoll
Rousseau
St. Catharines
St. Thomas
Sarnia
Sharbot Lake
Simcoe
Sioux Lookout
Smiths Falls
Sturgeon Falls
Sudbury
TORONTO
TORONTO

Toronto
Toronto
Toronto
Trent River
Tweed
Windsor

QUEBEC

Bourlamaque

Chateauguay Basin
MONTREAL
MONTREAL
Montreal
Montreal
Noranda
North Hatley
QUEBEC
St. Anne de Bellevue
Senneterre
Three Rivers

NEW BRUNSWICK

Campbellton
Fredericton
Moncton

SAINT JOHN

NOVA SCOTIA

HALIFAX

NEWFOUNDLAND

ST. JOHNS

J. W. Magnus Co.
Clarence Swift
Wentworth Radio and Auto Supply
E. S. Walker
Keelan's Limited
J. R. Simonett
Giles Marine and Engine Service
Fuller's Service Station
Rideau Marine Depot
Archie Merchant
Sudbury Boat and Canoe Co.
A. E. BROWN MOTORS (Parts Distributor)
CURREY BULMER OUTBOARD CO.
(Parts Distributor)

Ainsworth Distributors Ltd.
Can. Marine Equipment Ltd.
Midtown Tire Ltd.
Openshaw and Son
C. R. Maguire
Morris Willard Battery Service

Val d'Or Lamacque Outboard Motor Repair Shop

Garage Handfield
OMER DESERRERES LTD. (Parts Distributor)
P. A. TREMBLAY (Parts Distributor)
Federal Marine Co.
Verdun Outboard Supplies
C. O. Johnson
Hatley Craft Ltd.
Jos. Bastien & Fils. Inc. (Parts Distributor)
St. Anne's Marine Service.
J. R. Plamondon
Paul E. Bergeron Mach.

S. C. Kelly
Capital Garage
R. K. Buzzell
MARITIME OIL AND SUPPLY CO.
(Parts Distributor)

CLEVE'S SPORTING GOODS
(Parts Distributor)

CHARLES R. BELL LTD. (Parts Distributor)

Idle Hour Boat Livery
313 St. Paul St.
15 East Street.
215 N. Christina St.
26 Sydenham Street.

61 MAIN STREET

EGLINTON at BATHURST
2391 Yonge Street.
155 King St. W.
100 Davenport Road.

542 Chilver Road.

1406 ST. DENIS
4316 ST. CATHERINE
814 St. James St.
5129 Wellington St.

466 ST. VALIER

1624 St. Philippe

3 Gerrard St.
Campbell Street.
21 Bonaccord St.

81 PRINCE WILLIAM ST.

2 ARGYLE STREET.

